



Alpha Column System

Description

The Alpha Column is a lifting device for the continuous height adjustment of assembly tables, medical equipment, audio visual displays etc.

Due to the well designed anodised aluminium profile the column does not need any other external panelling.

The Alpha column is available in two sizes "Medium" and "Large". Due to increased dimensions the "Large" version is able to take higher overhung loads.

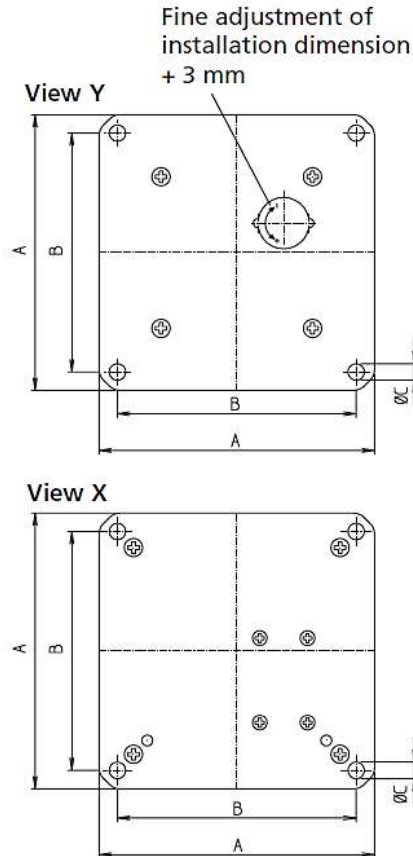
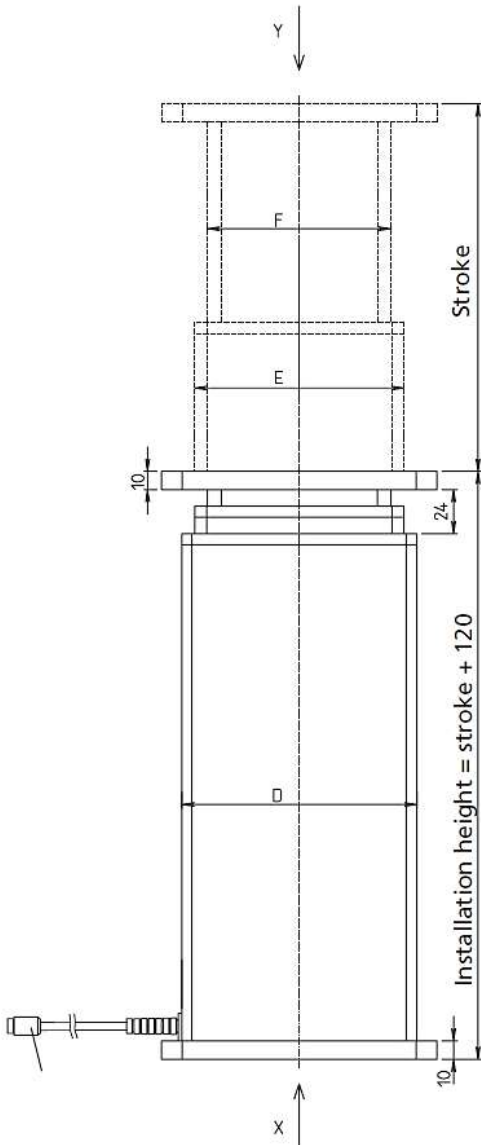
Load Capacity up to 10,000N at 5mm/s and a maximum travel length of 1000mm. Special stroke lengths on request



Features

- Adjusted sliding guides guarantee zero backlash, even after years of operation
- Assembly dimensions can be adjusted by $\pm 3\text{mm}$
- Integrated limit switches
- Self locking, even under maximum load
- Compressive and tensile forces
- Attractive design, anodised aluminium
- Smooth surface for easy cleaning
- Single unit or synchronised controls

Dimensions



Dimension	ACM "Medium"	ACL "Large"
A	150	190
B	130	170
C	9	11
D	128	163
E	114	145
F	100	128

Technical Data

Standard Column

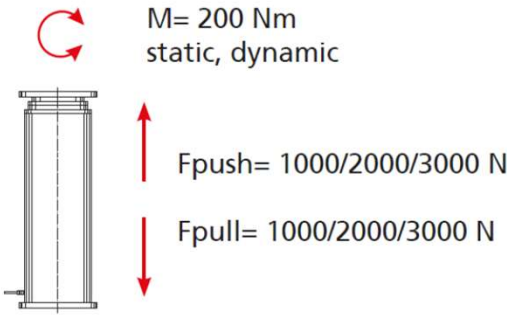
Voltage	24VDC for Standard
Controller	120/230VAC
Current	5A maximum
Protection	IP40
Ambient Temperature	-10°C to + 75°C
Load Capacity	1000N, 2000N, 3000N

Heavy Duty Column

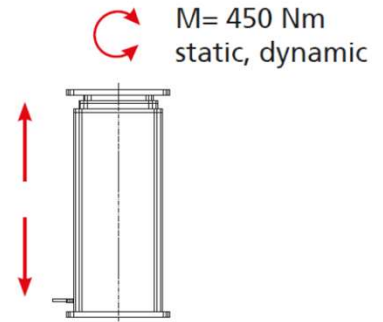
Voltage	24VDC – 48VDC
Controller	120/230VAC
Current	10A maximum
Protection	IP40
Ambient Temperature	-10°C to + 75°C
Load Capacity	2000N, 5000N, 10,000N

Load data

Alpha Colonne „Medium“

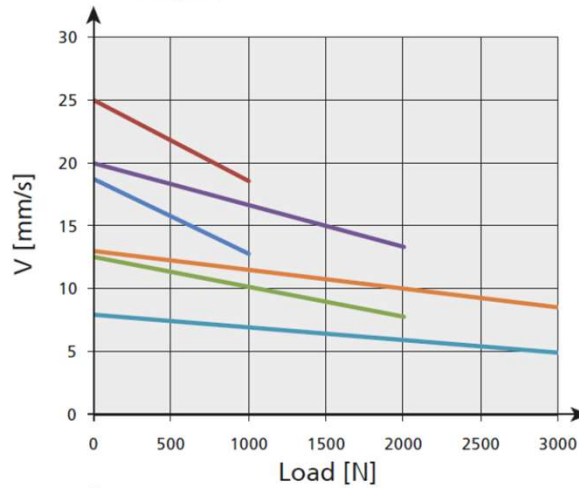


Alpha Colonne „Large“



Speed/Force diagram

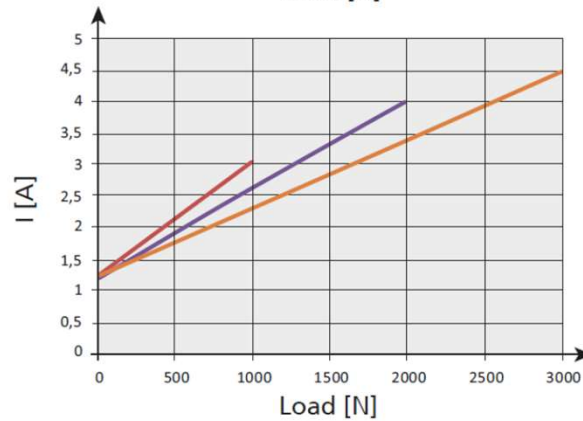
Alpha Colonne for external control



- Alpha Colonne 1,000N at 24V*1
- Alpha Colonne 1,000N at 36V*2
- Alpha Colonne 2,000N at 24V*1
- Alpha Colonne 2,000N at 36V*2
- Alpha Colonne 3,000N at 24V*1
- Alpha Colonne 3,000N at 36V*2

Current output/Force diagram

Alpha Colonne with external control



- Alpha Colonne 1,000N
- Alpha Colonne 2,000N
- Alpha Colonne 3,000N

24 V*1 determined with a transformer control 120 VA

36 V*2 determined with a MultiControl duo

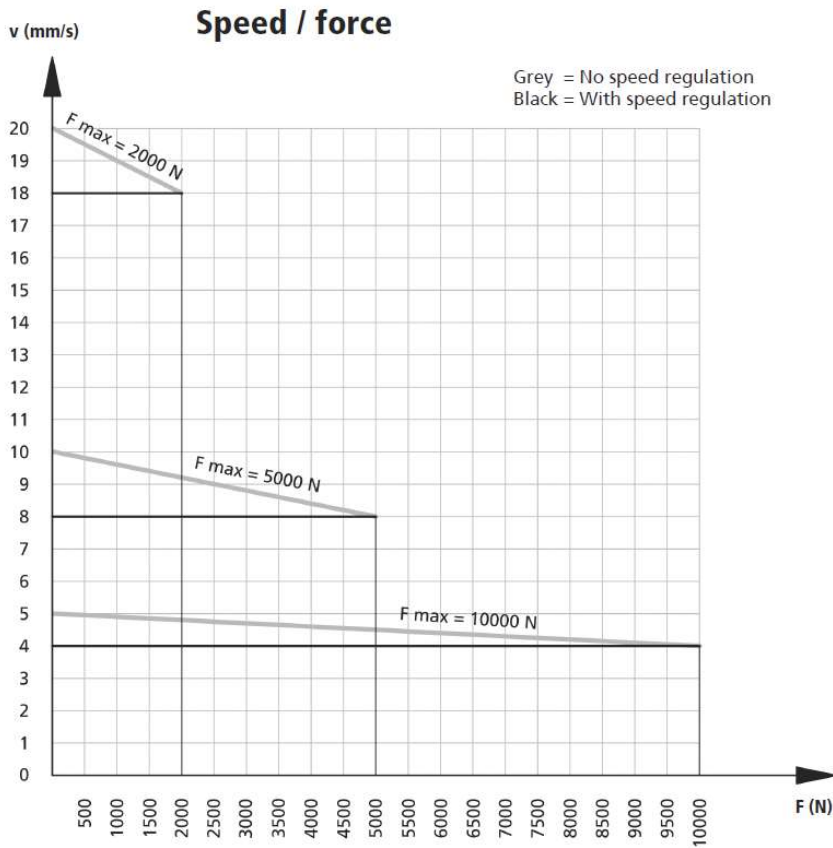
Duty Cycle

The lifting columns are designed for intermittent service. The maximum operating time under normal load may not exceed 20% (2 minutes operation, 8 minutes rest)

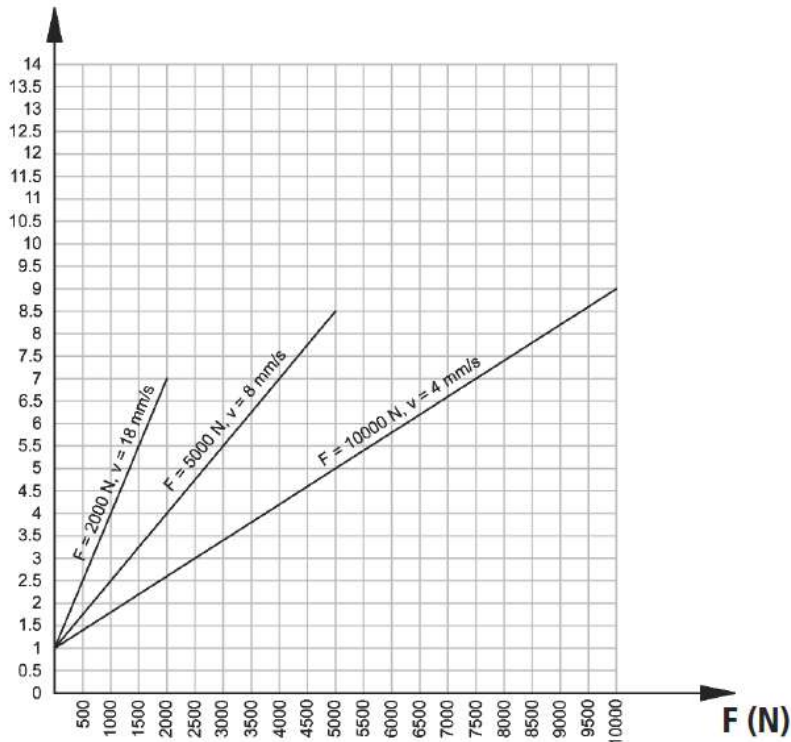
Over Hung Load

Medium Units – 250Nm
Large Units – 450Nm

Heavy Duty Alpha Column Large Data



I (A) 24 VDC: Current / force



Terms of use - Product details subject to change without notice